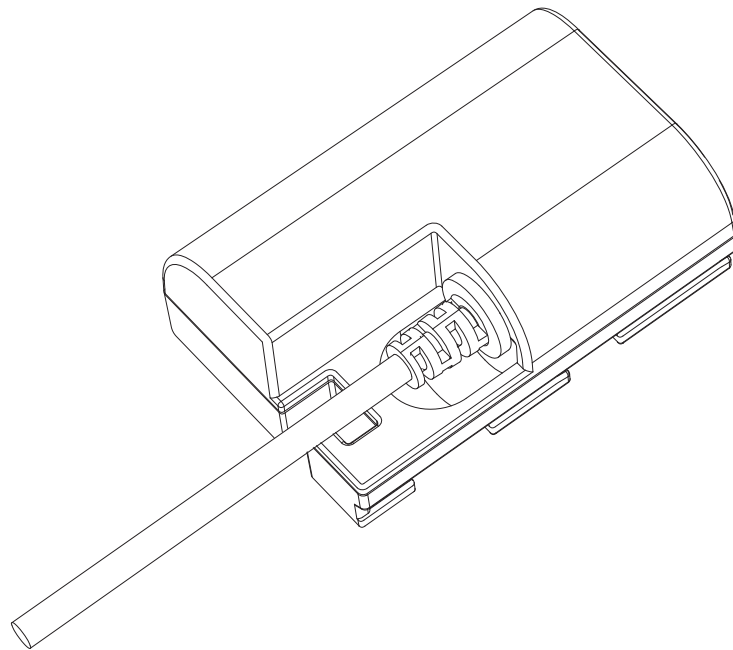


[*DC Coupler*]

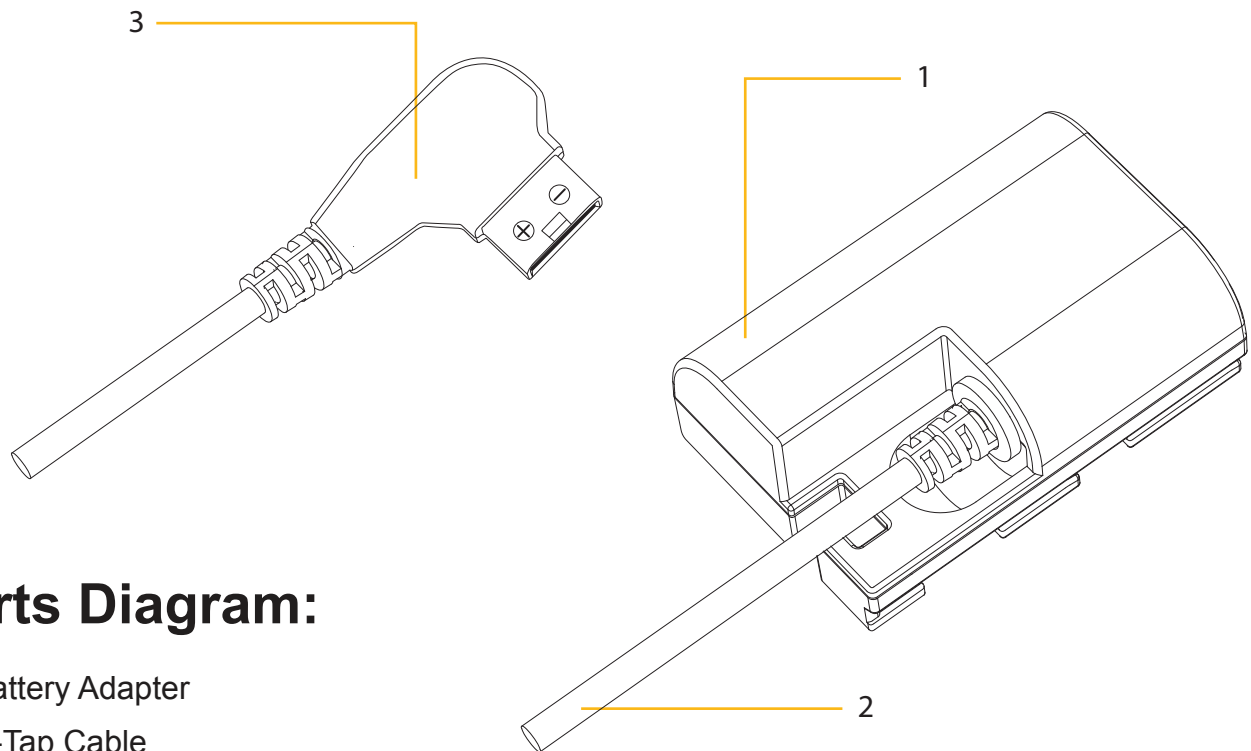
with D-Tap Input



Thank you for your purchase of the ProMaster DC Coupler with D-Tap for Canon LP-E6. The DC Coupler lets you connect to a D-Tap power source using your camera's battery compartment, providing extra-long runtimes and unrestricted movement. Please refer to the diagram while reading these instructions thoroughly to understand and properly use the DC Coupler.

Features:

- Provides continuous camera power using its battery compartment
- Connects to a D-Tap power source such as a V-Mount or Gold Mount battery
- Works with cameras that use LP-E6, LP-E6N, and LP-E6NH batteries



Parts Diagram:

1. Battery Adapter
2. D-Tap Cable
3. D-Tap Connector

Instructions for Use:

1. **IMPORTANT:** Ensure that your camera is turned OFF before proceeding. Insert the battery adapter (1) into your camera's battery compartment.
2. Route the D-Tap cable (2) extending from the battery adapter through the opening in or near your camera's battery compartment door. (A rubber flap either on or near the battery compartment door accommodates the DC Coupler's cable; if you have difficulty locating the opening, consult your camera's manual.) Close the battery compartment door. *Note: the DC Coupler will not work if the battery compartment door is not fully closed.*
3. Connect the D-Tap connector (3) to the female D-Tap port on your power source. You can now turn on your camera and operate it as normal. Be sure to turn your camera off before disconnecting the D-Tap connector (3) or removing the battery adapter (1).

Please note, it is normal for the product to become warm during use.

Precautions & Tips for Use:

- Do not exceed 20V input current.
- Make sure that your camera is OFF when connecting or disconnecting the DC Coupler.
- Ensure that all connections are complete and secure before turning your camera on.
- Do not leave connected to a camera and/or power source unattended. Disconnect the D-Tap cable from its power source when not in use.
- Never connect power to your camera's input ports (USB-C, USB micro-B, or similar) while using the DC Coupler.
- Do not touch with wet hands or immerse in water or other liquids.
- Turn off your camera and disconnect the D-Tap cable before repositioning your D-Tap power source.
- Do not disassemble this product.
- Dropping this product can result in damage to exterior and internal components.
- The operating temperature range for this DC Coupler is 14°F (-10°C) to 140°F (60°C). The DC Coupler is intended for indoor use only.

One Year Unconditional Warranty:

If for any reason, this ProMaster product fails with ONE YEAR of the date of purchase, return this product to your ProMaster dealer and it will be exchanged for you at no charge. ProMaster products are guaranteed for ONE FULL YEAR against defects in workmanship and materials. If, at any time after one year, your ProMaster product fails under normal use, we invite you to return it to ProMaster for evaluation.

Code 65968

Made in China

www.promaster.com